

Technical data sheet



Product features

Boiling kettle gas indirect autoclave 100 l

Model	SAP Code	00015048
--------------	-----------------	----------

- Device type: Gas unit
- Device heating type: Indirect
- Ignition: Electric
- Steam pressure regulation: Mechanical - the valve releases steam at high pressure
- Filling: Mechanical cock
- Jacket filling: Semi-automatic
- Drain valve diameter: 2"
- Usable volume [l]: 100

SAP Code	00015048	Power gas [kW]	22.500
Net Width [mm]	800	Type of gas	Natural gas, propane butane
Net Depth [mm]	900	Usable volume [l]	100
Net Height [mm]	900	Device heating type	Indirect
Net Weight [kg]	140.00	Steam pressure regulation	Mechanical - the valve releases steam at high pressure

Technical data sheet



Technical drawing

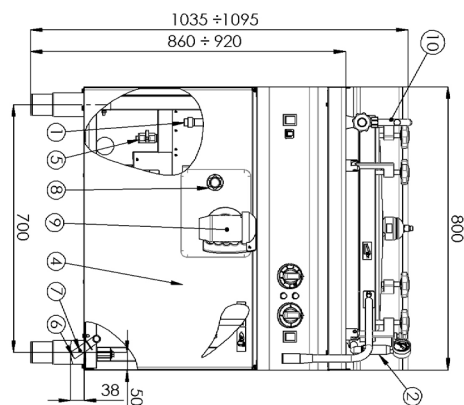
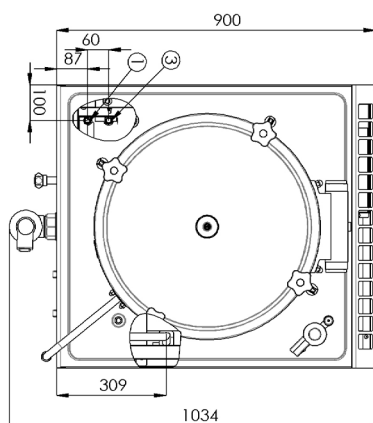
Boiling kettle gas indirect autoclave 100 l

Model

SAP Code

00015048

1 - PŘÍVOD STUDENÉ VODY	6 - PŘÍVOD PLYNU
2 - POJISTNÝ VENTIL + MONOMETR	7 - MÍSTO KONTROLY VSTUPNÍHO TLAKU PLYNU
3 - PŘÍVOD ZMĚKČELÉ VODY	8 - KONTROLNÍ KOHOUT HLADINY DUKÁTORU
4 - PŘÍVOD NAPĚTÍ 230V	9 - VYPUSŤEČÍ KOHOUT DUKÁTORU
5 - VYPUSŤEČÍ KOHOUT DUKÁTORU	10 - NAPONUŠŤEČÍ BATERIE



Technical data sheet



Technical parameters

Boiling kettle gas indirect autoclave 100 l

Model	SAP Code	00015048
--------------	-----------------	----------

1. SAP Code:

00015048

2. Net Width [mm]:

800

3. Net Depth [mm]:

900

4. Net Height [mm]:

900

5. Net Weight [kg]:

140.00

6. Gross Width [mm]:

840

7. Gross depth [mm]:

970

8. Gross Height [mm]:

1160

9. Gross Weight [kg]:

163.00

10. Device type:

Gas unit

11. Construction type of device:

Stationary

12. Power gas [kW]:

22.500

13. Ignition:

Electric

14. Type of gas:

Natural gas, propane butane

15. Protection of controls:

IPX4

16. Material:

AISI 304 top plate, AISI 430 cladding

17. Indicators:

operation and warm-up

18. Drain valve diameter:

2"

19. Worktop type:

Molded - comfortable cleaning maintenance

20. Worktop material:

AISI 304

21. Worktop Thickness [mm]:

1.50

22. Device heating type:

Indirect

23. Device capacity [l]:

100.00

24. Maximum device temperature [°C]:

90

25. Minimum device temperature [°C]:

30

26. Safety thermostat:

Yes

27. Safety thermostat up to x ° C:

150

28. Adjustable feet:

Yes

Technical data sheet



Technical parameters

Boiling kettle gas indirect autoclave 100 l

Model

SAP Code

00015048

29. Bottom material:

AISI 316

32. Jacket filling:

Semi-automatic

30. Usable volume [l]:

100

33. Steam pressure regulation:

Mechanical - the valve releases steam at high pressure

31. Filling:

Mechanical cock

34. Type of drain valve:

conical